



# CH Engineering & Consultants Carbon Regeneration Kiln Equipment Reference List

Date: June 16, 2022

Client	AIMROC
Project Name	Chovdar
Scope	EPC
Kiln Capacity	4 tons/day
Regeneration Type	Electric Fired
Completion Date	2012



Client	Demir Export
Project Name	Bakırtepe
Scope	EPC
Kiln Capacity	2 tons/day
Regeneration Type	Electric Fired
Completion Date	2015





# CH Engineering & Consultants Carbon Regeneration Kiln Equipment Reference List

Date: June 16, 2022

Client	Zenit
Project Name	Sındırgı
Scope	EPC
Kiln Capacity	4 tons/day
Regeneration Type	Electric Fired
Completion Date	2016



Client	Centerra
Project Name	Öksüt
Scope	EPC
Kiln Capacity	3 tons/day
Regeneration Type	Electric Fired
Completion Date	2019

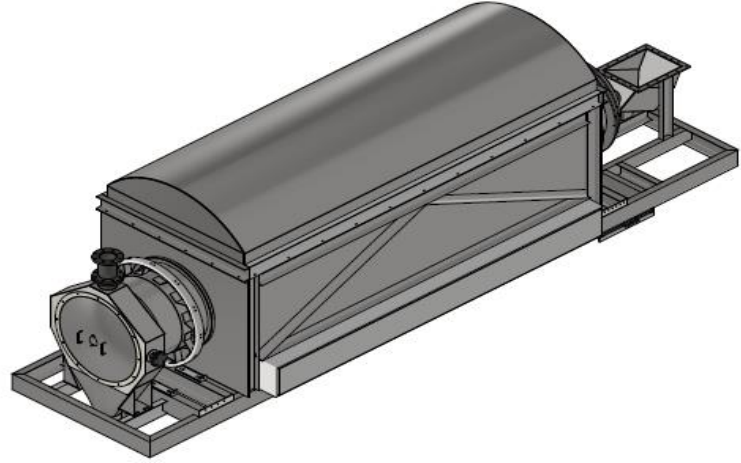




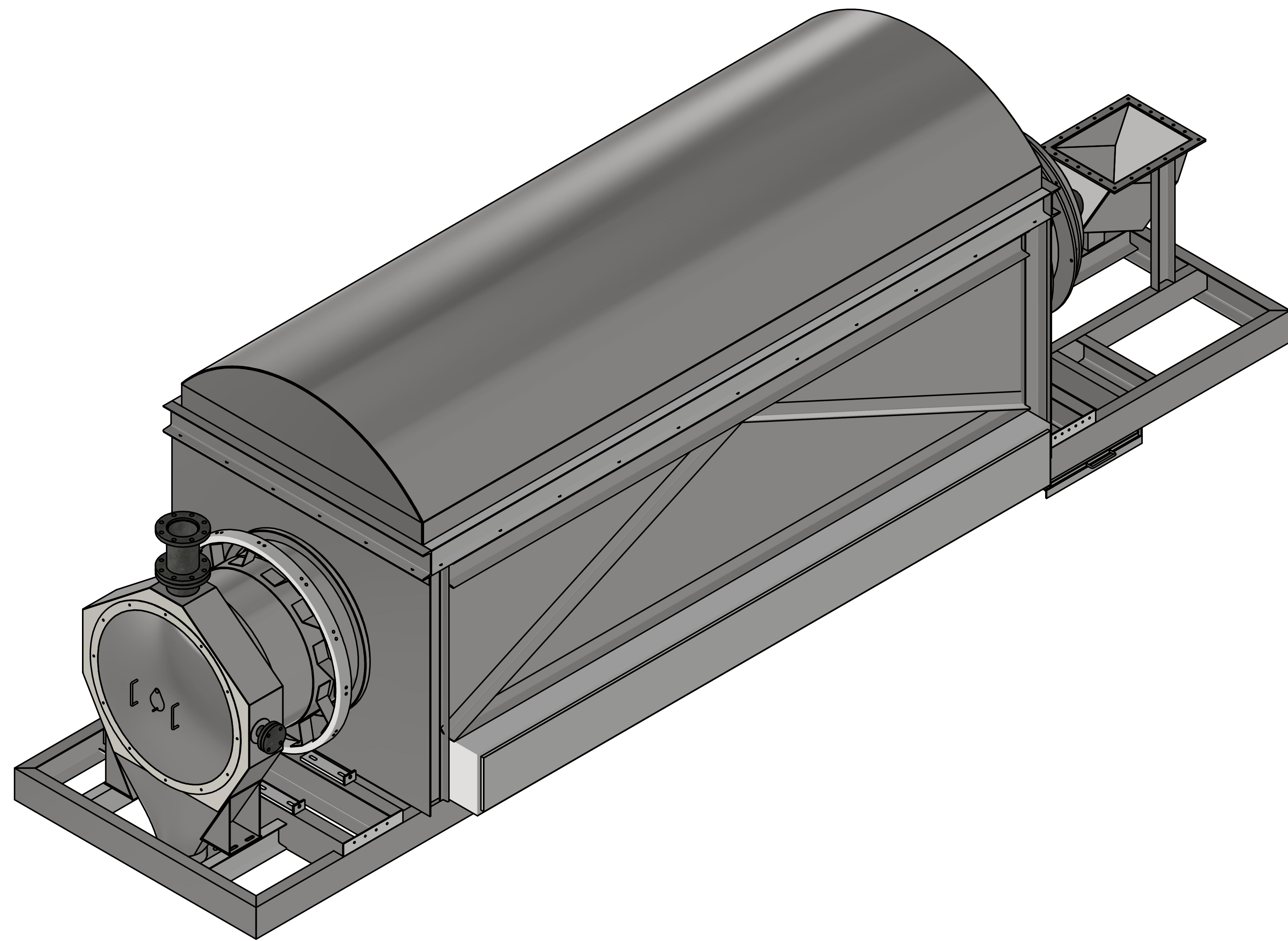
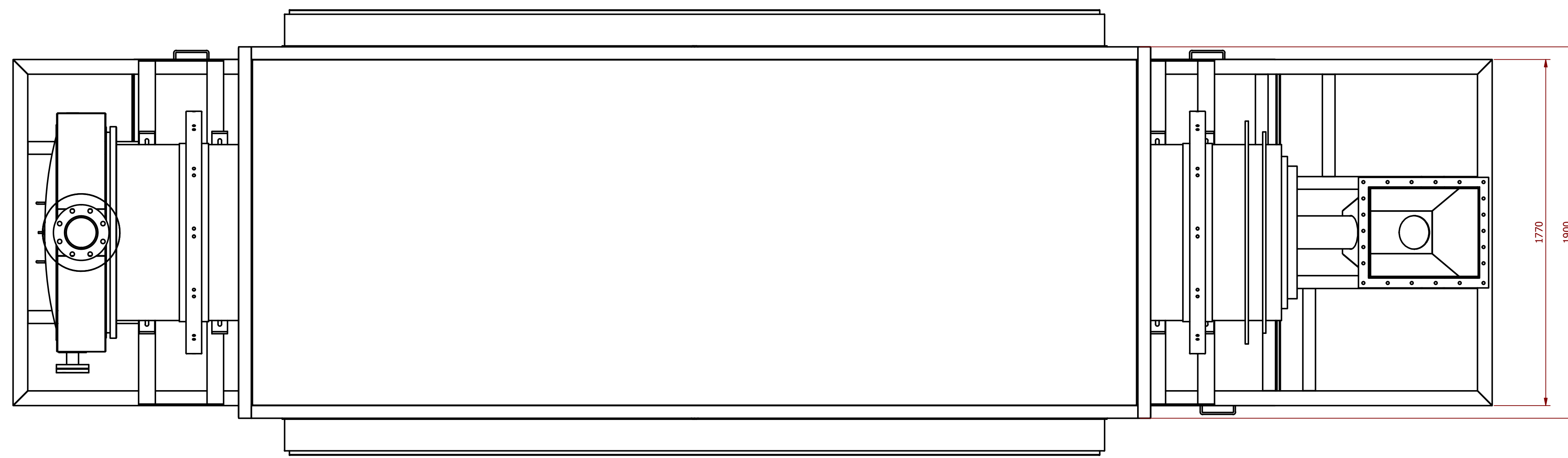
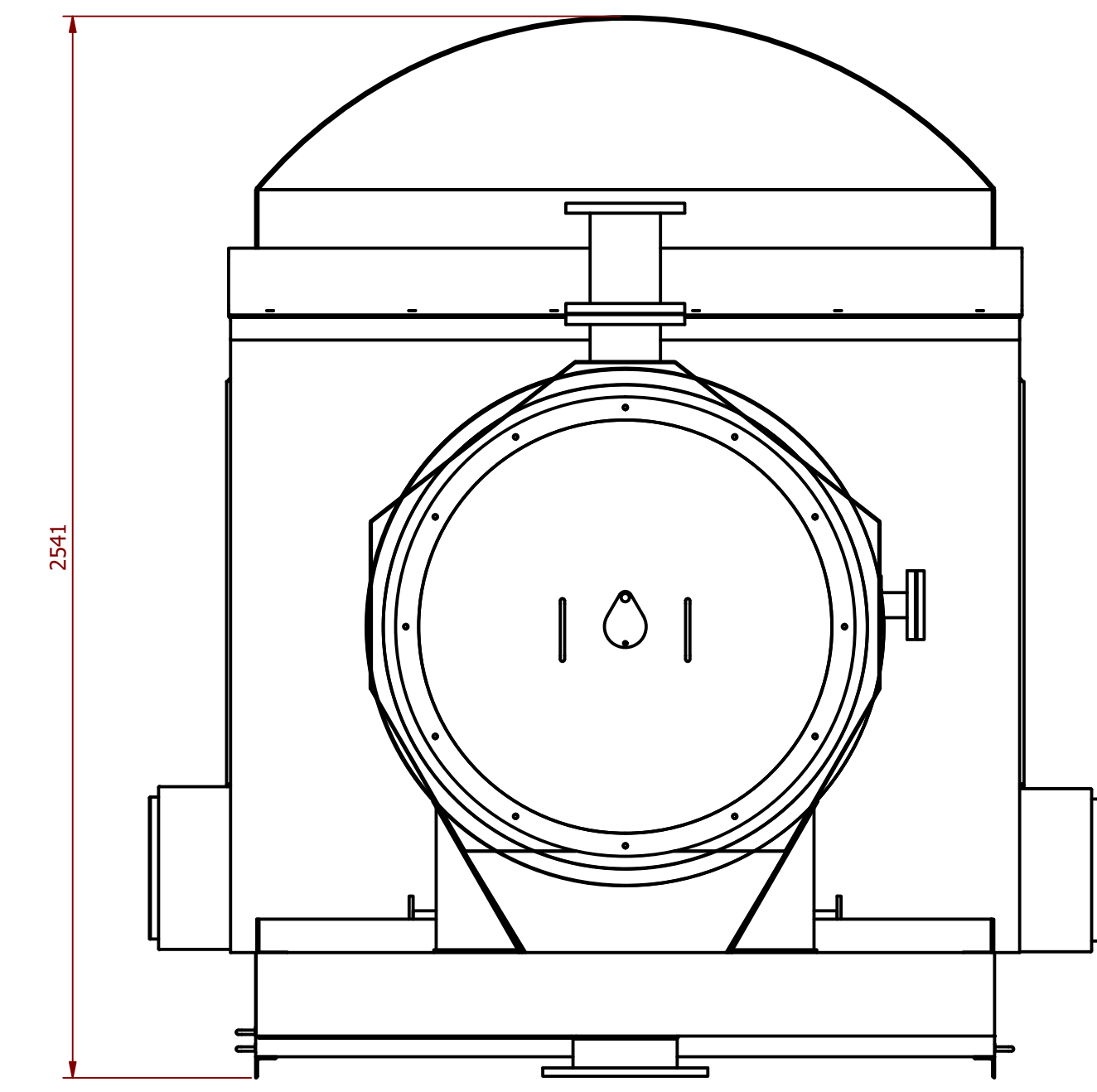
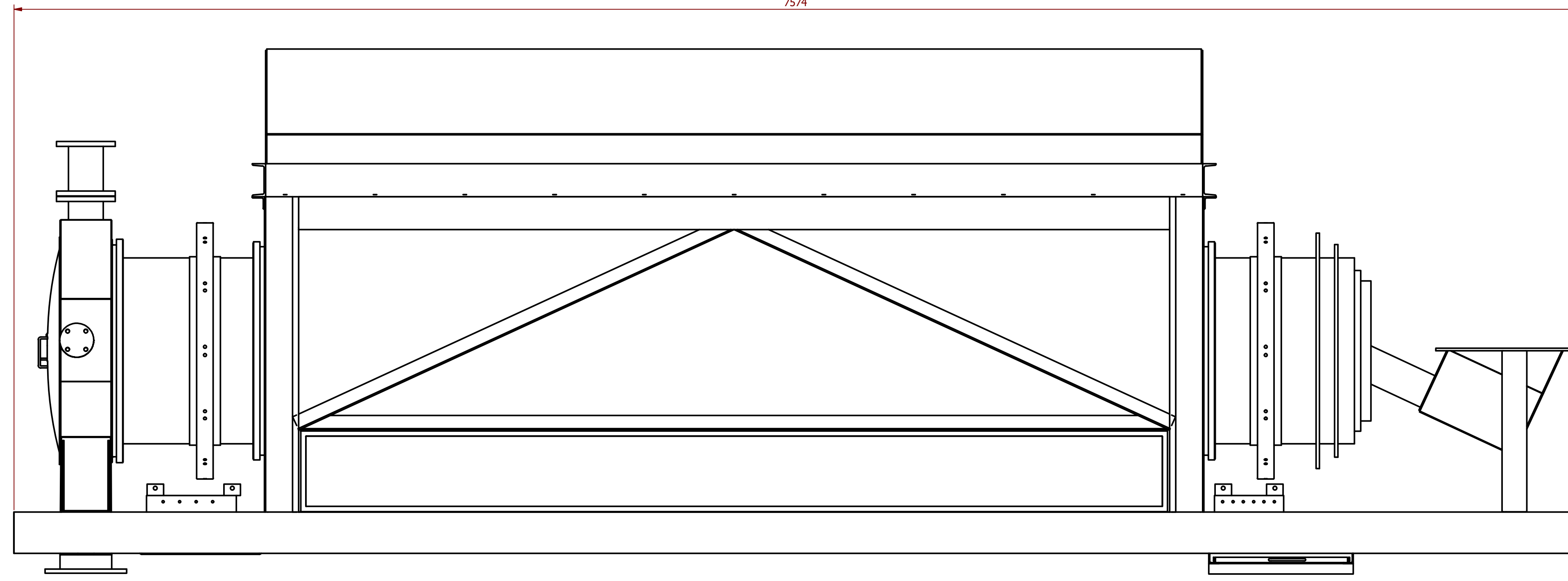
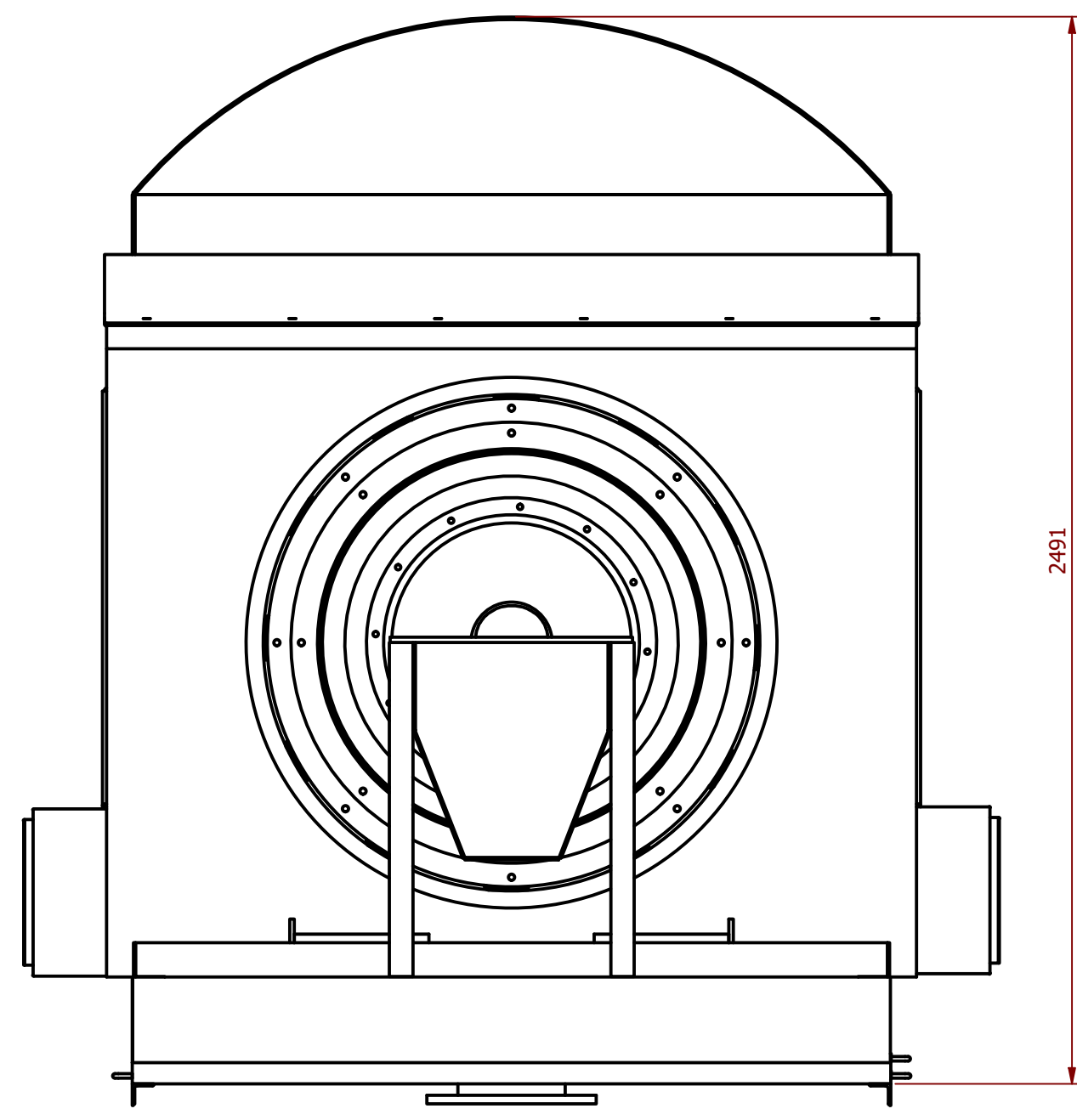
**CH Engineering & Consultants**  
**Carbon Regeneration Kiln**  
**Equipment Reference List**

Date: June 16, 2022

<b>Client</b>	<b>Zenit</b>
<b>Project Name</b>	<b>Tavşanlı</b>
<b>Scope</b>	<b>EPC</b>
<b>Kiln Capacity</b>	<b>4 tons/day</b>
<b>Regeneration Type</b>	<b>Electric Fired</b>
<b>Completion Date</b>	<b>2022</b>







- NOTES:**
1. DIMENSIONS IN MILLIMETERS, UNLESS NOTED OTHERWISE
  2. ELEVATIONS IN METERS, UNLESS NOTED OTHERWISE
  3. UNLESS OTHERWISE SPECIFIED, ALL WELDS WILL BE 0.7xPLATE THICKNESS.
  4. ALL INLET/OUTLET NOZZLES SHALL BE CHECKED ON INSTALLATION

**FOR INFORMATION**  
13.06.2022

The drawing and its contents is the property of Çi Engineering & Consultancy A.Ş. and shall not, without the prior written permission of Çi Engineering & Consultancy A.Ş. be reproduced, copied, or used for any purpose. Bu çizim ve içeriği Çi Engineering & Consultancy A.Ş.'nin mülkiyetindedir ve önceden yazılı izniniz olmadan başka amaçlarla kullanılmamalıdır.

JOB REFERENCE NUMBERS	REFERENCE DRAWINGS	NO. O.	REVISIONS	BY O.T.	DATE 13.06.2022	CHK'D K.Y.	APP'D U.Y.	NO.	REVISIONS	BY	DATE	CHK'D	APP'D	ENGINEERING O.TUNA	DATE 13.06.2022
			FOR INFORMATION											CHK'D K.YÜKSEL	13.06.2022
														APP'D U.YAZICIOGLU	13.06.2022

**ÇİE**  
Çi Engineering & Consultancy A.Ş.  
YUKARI ÇAMLIK YOLU 525. SOKAK NO:3  
34450 ORTAKÖY/BEŞİKTAŞ/İSTANBUL/TÜRKİYE  
Tel: +90 312 450 79 07 Pbx

REGENERATION KILN  
GENERAL VIEW

SCALE: 1:15

AO  
REV. 0